

## A Stingray in Your Bathtub? Fitting a 1U Rack Server in Your Office

Posted On Aug 31, Posted by [roni](#) Category [Uncategorized](#)



My server is huge: the [Dell™ PowerEdge™ R610 Rack Server](#) is about 19" wide, and 30" deep. Think stingray, and you'll know what it is like. The bottom-feeding stingray provides a good analogy. Out of sight is its best habitat.

As for the server, such a monster should live, well, on a server rack. But a rack is a huge investment, both in money and required area. Can you make room for it in your office space? After all, the 1U server is only 1.68" high, and the R610 model is remarkably quiet.

The inspiration came from the [LackRack project](#) . These creative folks converted IKEA® coffee tables into data centers.

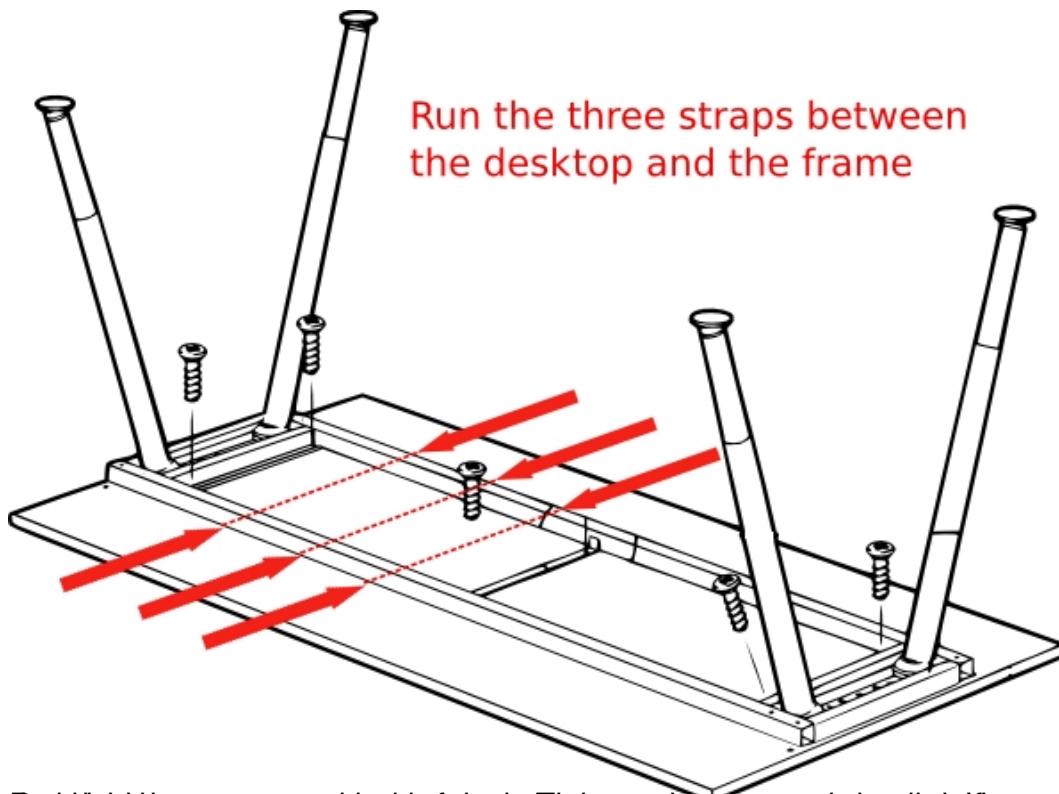
I decided to fasten the server under the top of an [I KEA Galant desk](#) . Mine is the corner model, but any other Galant model will do, as long as the top area is sufficiently large.

No tools are necessary! All you need are three straps with buckles, the kind used to secure loads on the top of a car. I used three [Keeper ® 8' x 1" Lashing Straps from The Home Depot®](#)

. Of course, 8' is too long. For a neater look, trim each strap to 5' and melt the cut edge with a flame.



The desk is positioned on the left side of the room. The server is positioned on the right side of the room. The strap is positioned in the lower left corner of the room.



The rack is held in place by three straps. This is a simple and effective way to secure the server. After all,



Tags: Untagged